

# 1N4148UB, UBCA, UBCC, UBD, UB2, UB2R



## Silicon Switching Diode

Rev. V1

### Features

- Available in JAN, JANTX, and JANTXV per MIL-PRF-19500/116
- Low Capacitance
- Fast Switching Speed
- Available in Unidirectional, Doubler, Common Anode and Common Cathode Polarities



### Maximum Ratings

Operating & Storage Temperature: -65°C to +200°C

Operating Current: 200 mA @  $T_A = +75^\circ\text{C}$

Derating Factor: 2.0 mA/°C above  $T_A = +25^\circ\text{C}$

Surge Current 2 A (pk)

### Electrical Specifications @ $T_A = +25^\circ\text{C}$ (unless otherwise specified)

JEDEC TYPE#	$V_{BR}$ @ 100 $\mu\text{A}$	$V_{RWM}$	$I_O$	$V_{F1}$ $I_F = 10$ mA dc	$V_{F2}$ $I_F = 100$ mA dc	$T_{rr}^1$	$I_{R1}$ @ 20 Vdc	$I_{R2}$ @ 75 Vdc	$I_{R3}$ @ 20 Vdc $T_A = 150^\circ\text{C}$	$I_{R4}$ @ 75 Vdc $T_A = 150^\circ\text{C}$	Capacitance @ 0 V	Capacitance @ 1.5 V
	Volts	Volts (pk)	mA	V dc	V dc	nsec	nA	nA	$\mu\text{A}$	$\mu\text{A}$	pF	pF
1N4148UB	100	75	200	0.8	1.2	5	25	500	35	75	4.0	2.8

1.  $C \geq 1$  nF,  $I_F = I_R = 10$  mA dc,  $R_L = 100 \Omega$ ,  $\pm 5\%$ ,  $I_{R(REC)} = 1.0$  mA dc,  $R \geq 1,000 \Omega$

### Thermal Characteristics ( $T_A = +25^\circ\text{C}$ unless otherwise specified)

Characteristics	Symbol	Max. Value
Thermal Resistance, Junction to Ambient <sup>(2)</sup>	$R_{\theta JA(PCB)}$	325°C/W <sup>(4)</sup>
Thermal Resistance, Junction to Solder Pad <sup>(3)</sup>	$R_{\theta JSP}$	120°C/W

(2) See figures 11, 12, and 13 of MIL-PRF-19500/116 for thermal impedance curves

(3)  $R_{\theta JSP}$  refers to thermal resistance from junction to the solder pads of the UB package

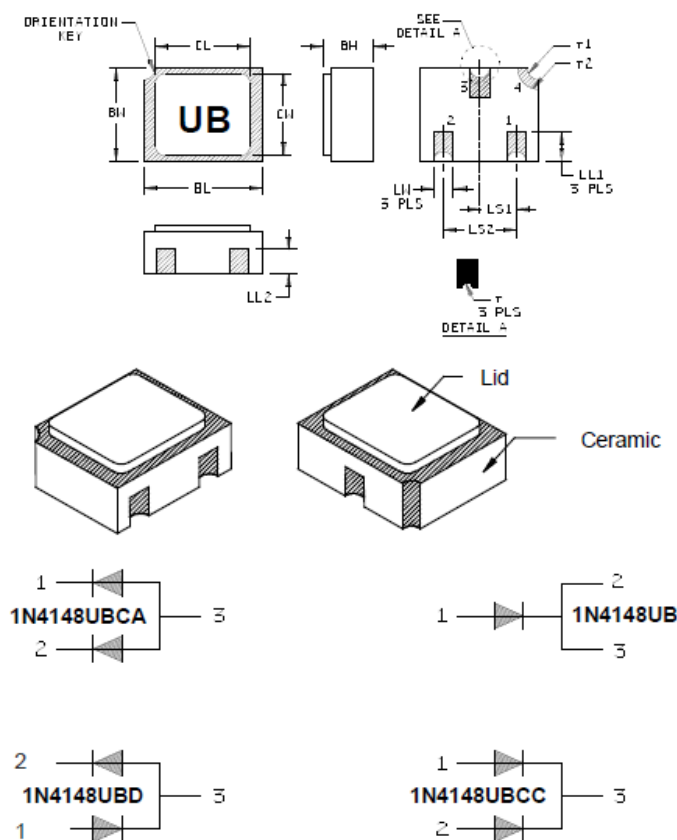
# 1N4148UB, UBCA, UBCC, UBD, UB2, UB2R



## Silicon Switching Diode

Rev. V1

### Outline Drawing (UB)



Symbol	Dimensions				Symbol	Dimensions			
	Inches		Millimeters			Inches		Millimeters	
	Min	Max	Min	Max		Min	Max	Min	Max
BH	.046	.056	1.17	1.42	LS <sub>1</sub>	.035	.039	0.89	0.99
BL	.115	.128	2.92	3.25	LS <sub>2</sub>	.071	.079	1.80	2.01
BW	.085	.108	2.16	2.74	LW	.016	.024	0.41	0.61
CL		.128		3.25	R		.008		0.20
CW		.108		2.74	r1		.012		0.31
LL1	.022	.038	0.56	0.97	r2		.022		0.56
LL2	.017	.035	0.43	0.89					

**NOTES:**

1. Dimensions are in inches. Millimeters are given for general information only.
2. Ceramic package only.
3. Hatched areas on package denote metallized areas. Pad 4 = shielding, connected to the lid.
4. In accordance with ASME Y14.5M, diameters are equivalent to  $\Phi x$  symbology.

FIGURE 3. Physical dimensions, surface mount (UB versions).

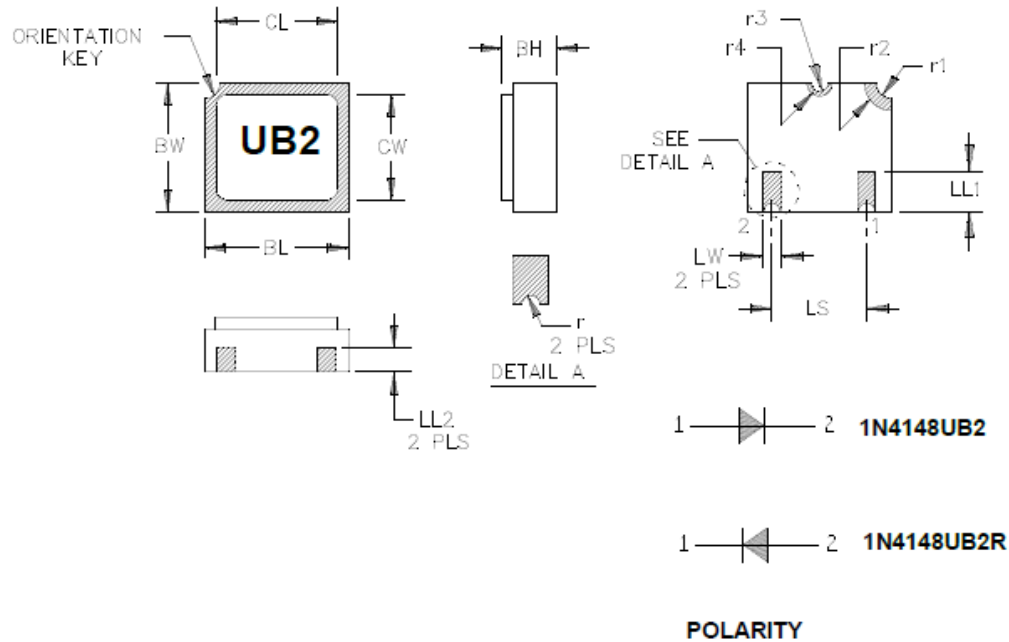
# 1N4148UB, UBCA, UBCC, UBD, UB2, UB2R



## Silicon Switching Diode

Rev. V1

### Outline Drawing (UB2)



Symbol	Dimensions				Symbol	Dimensions			
	Inches		Millimeters			Inches		Millimeters	
	Min	Max	Min	Max		Min	Max	Min	Max
BH	.046	.056	1.17	1.42	LS	.071	.079	1.80	2.01
BL	.115	.128	2.92	3.25	LW	.016	.024	0.41	0.61
BW	.085	.108	2.16	2.74	r	.008 TYP		0.20 TYP	
CL		.128		3.25	r1	.012 TYP		0.31 TYP	
CW		.108		2.74	r2	.022 TYP		0.56 TYP	
LL1	.022	.038	0.56	0.96	r3	.008 TYP		0.20 TYP	
LL2	.017	.035	0.43	0.89	r4	.012 TYP		0.31 TYP	

#### NOTES:

1. Dimensions are in inches. Millimeters are given for general information only.
2. Ceramic package only.
3. Hatched areas on package denote metallized areas. Pad 4 = shielding, connected to the lid.
4. In accordance with ASME Y14.5M, diameters are equivalent to  $\Phi$ x symbology.

FIGURE 4. Physical dimensions, surface mount (2 pin UB versions).

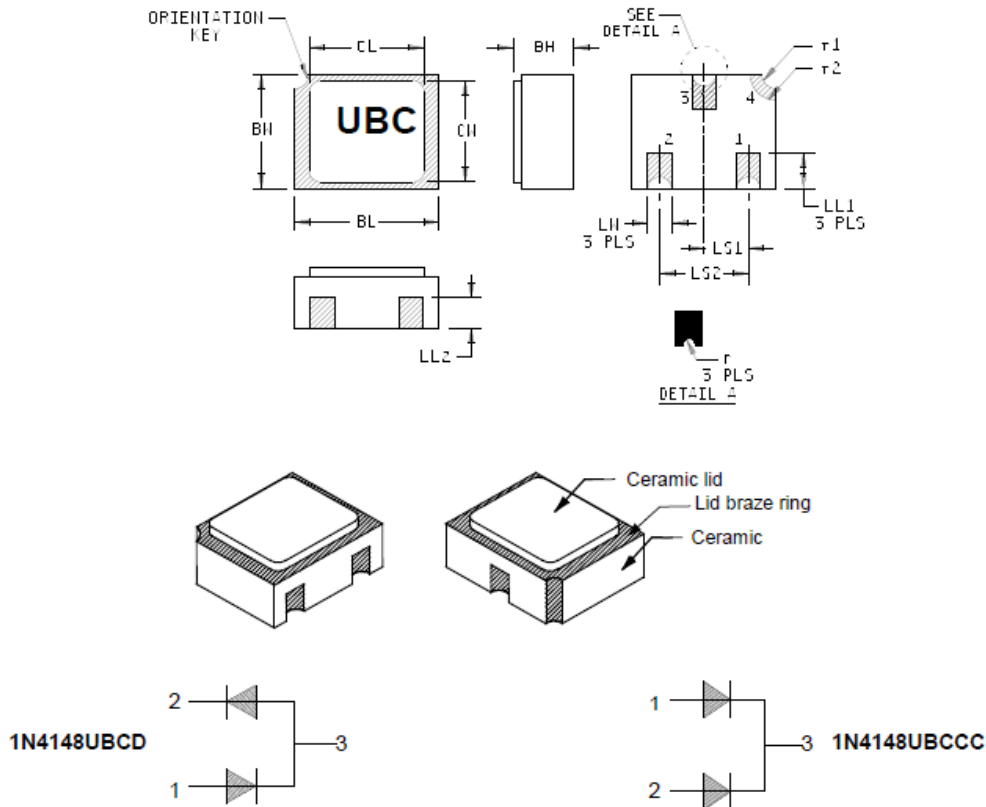
# 1N4148UB, UBCA, UBCC, UBD, UB2, UB2R



## Silicon Switching Diode

Rev. V1

### Outline Drawing (UBC)



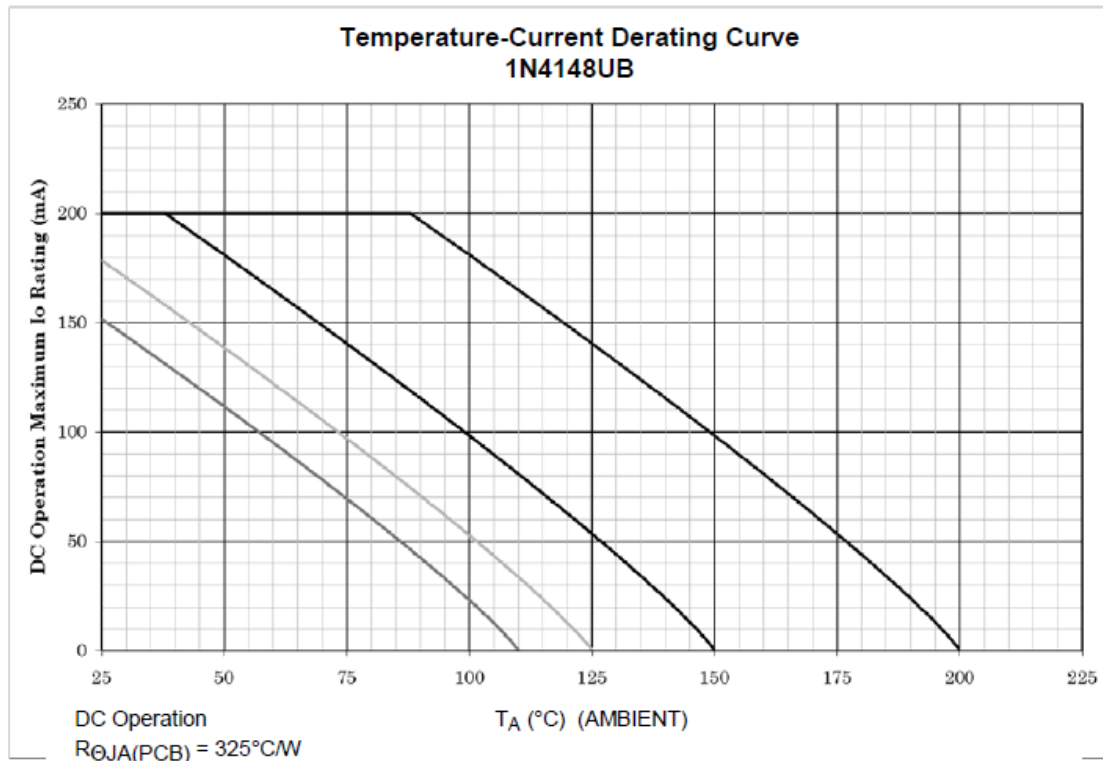
Symbol	Dimensions			
	Inches		Millimeters	
	Min	Max	Min	Max
BH	.046	.071	1.17	1.80
BL	.115	.128	2.92	3.25
BW	.085	.108	2.16	2.74
CL		.128		3.25
CW		.108		2.74
LL1	.022	.038	0.56	0.96
LL2	.017	.035	0.43	0.89

Symbol	Dimensions			
	Inches		Millimeters	
	Min	Max	Min	Max
LS <sub>1</sub>	.036	.040	0.91	1.02
LS <sub>2</sub>	.071	.079	1.81	2.01
LW	.016	.024	0.41	0.61
r		.008		.203
r1		.012		.305
r2		.022		.559

#### NOTES:

1. Dimensions are in inches. Millimeters are given for general information only.
2. Hatched areas on package denote metallized areas.
3. In accordance with ASME Y14.5M, diameters are equivalent to  $\Phi$ x symbology.
4. Pin 4 is connected to lid braze ring.

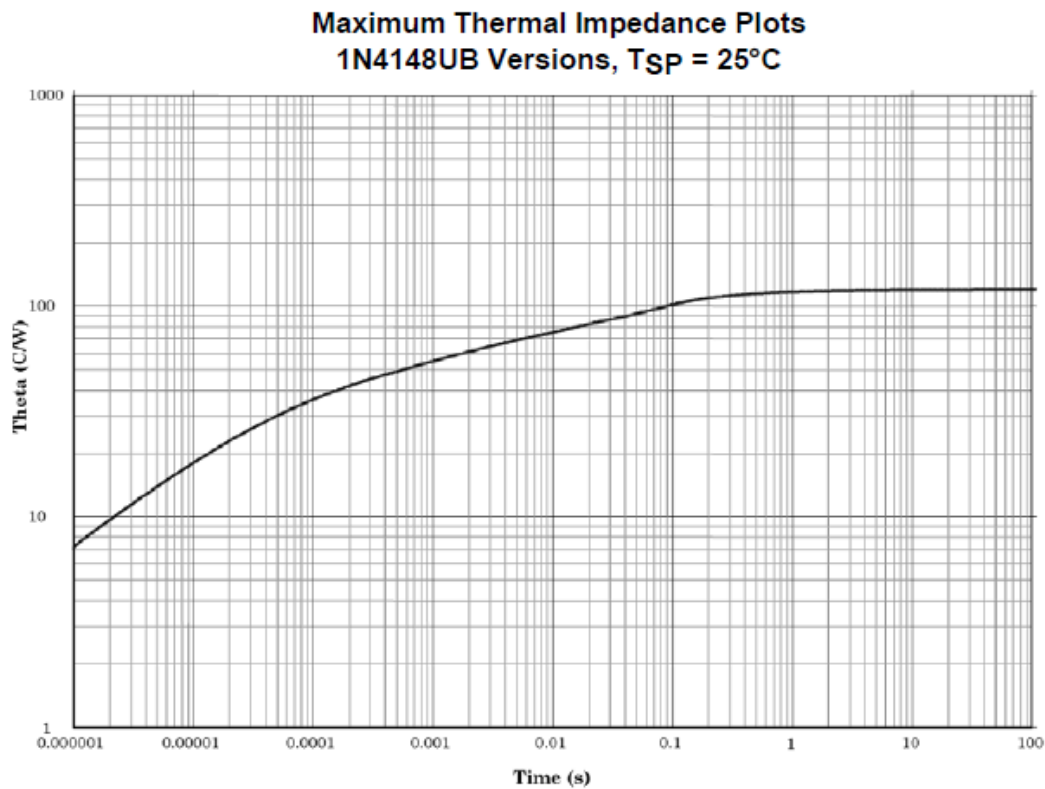
FIGURE 5. Physical dimensions, surface mount (UBC version, ceramic lid).



### NOTES:

1. This is the true inverse of the worst case thermal resistance value. All devices are capable of operating at  $\leq T_J$  specified on this curve. Any parallel line to this curve will intersect the appropriate current for the desired maximum  $T_J$  allowed.
2. Derate design curve constrained by the maximum junction temperature ( $T_J \leq +200^{\circ}\text{C}$ ) and current rating specified. (See 1.3.)
3. Derate design curve chosen at  $T_J \leq +150^{\circ}\text{C}$ , where the maximum temperature of electrical test is performed.
4. Derate design curves chosen at  $T_J \leq +125^{\circ}\text{C}$ , and  $+110^{\circ}\text{C}$  to show current rating where most users want to limit  $T_J$  in their application.

FIGURE 10. Temperature-current derating graph.



$R_{\theta JSP} = 120^{\circ}\text{C/W}$

NOTE:  $Z_{\theta JX} = 75^{\circ}\text{C/W}$  maximum at  $t_H = 10\text{ms}$ .

FIGURE 13. Thermal impedance (UB versions).

# 1N4148UB, UBCA, UBCC, UBD, UB2, UB2R



## Silicon Switching Diode

Rev. V1

### **VPT COMPONENTS. ALL RIGHTS RESERVED.**

Information in this document is provided in connection with VPT Components products. These materials are provided by VPT Components as a service to its customers and may be used for informational purposes only. Except as provided in VPT Components Terms and Conditions of Sale for such products or in any separate agreement related to this document, VPT Components assumes no liability whatsoever. VPT Components assumes no responsibility for errors or omissions in these materials. VPT Components may make changes to specifications and product descriptions at any time, without notice. VPT Components makes no commitment to update the information and shall have no responsibility whatsoever for conflicts or incompatibilities arising from future changes to its specifications and product descriptions. No license, express or implied, by estoppel or otherwise, to any intellectual property rights is granted by this document.

THESE MATERIALS ARE PROVIDED "AS IS" WITHOUT WARRANTY OF ANY KIND, EITHER EXPRESS OR IMPLIED, RELATING TO SALE AND/OR USE OF VPT COMPONENTS PRODUCTS INCLUDING LIABILITY OR WARRANTIES RELATING TO FITNESS FOR A PARTICULAR PURPOSE, CONSEQUENTIAL OR INCIDENTAL DAMAGES, MERCHANTABILITY, OR INFRINGEMENT OF ANY PATENT, COPYRIGHT OR OTHER INTELLECTUAL PROPERTY RIGHT. VPT COMPONENTS FURTHER DOES NOT WARRANT THE ACCURACY OR COMPLETENESS OF THE INFORMATION, TEXT, GRAPHICS OR OTHER ITEMS CONTAINED WITHIN THESE MATERIALS. VPT COMPONENTS SHALL NOT BE LIABLE FOR ANY SPECIAL, INDIRECT, INCIDENTAL, OR CONSEQUENTIAL DAMAGES, INCLUDING WITHOUT LIMITATION, LOST REVENUES OR LOST PROFITS, WHICH MAY RESULT FROM THE USE OF THESE MATERIALS.

VPT Components products are not intended for use in medical, lifesaving or life sustaining applications. VPT Components customers using or selling VPT Components products for use in such applications do so at their own risk and agree to fully indemnify VPT Components for any damages resulting from such improper use or sale.